

GNF-R64 Recessed Hook

Features

- Hook automatically closes and retracts into body when hooked items are removed
- Little projection when hook is retracted
- Possible to install to sheet metal with bracket **GNF-50**

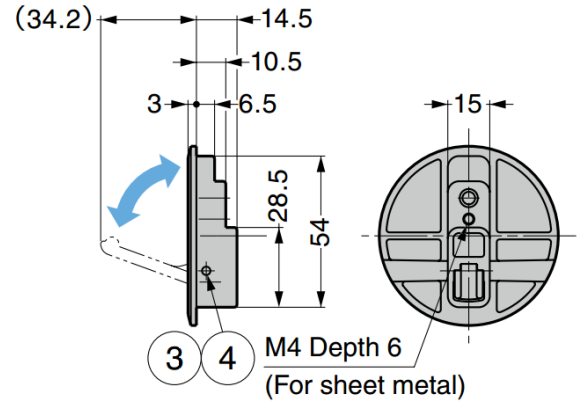
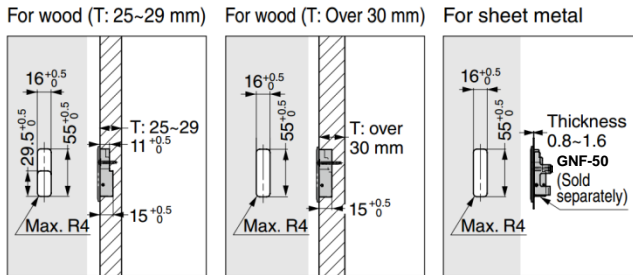
Notes

- Take off the cushion rubber when installing on wooden panel
- **GNF-50** bracket for sheet metal installation sold separately

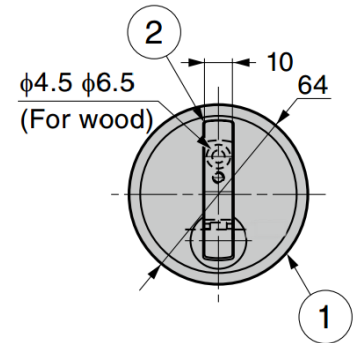
Recommended Screws

- For wood (T: 25 ~ 29 mm): Countersunk head tapping screw 4x19
- For wood (T: over 30 mm): Countersunk head tapping screw 4x25

Cut Out Dimensions



No.	Part Name	Material	Finish / Colour
①	Body	Zinc Alloy	Pearl Chrome
②	Arm		
③	Spring	Stainless Steel	Plain
④	Knurled Pin		
-	Cushion Rubber	Rubber	Grey



Part No.	Load Capacity	
GNF-R64	196 N	20 kg

GNF-50 Bracket for Sheet Metal

Features

- Bracket for sheet metal application installation of recessed hooks **GNF-60** and **GNF-R64**

Material

- Steel, coloured zinc chromate (trivalent) / clear enamel finish

Parts Included

- **GNF-60**: Pan head screw M4×20 (SUS)
- **GNF-R64**: Pan head screw M4×14 (SUS)

Part No.
GNF-50

